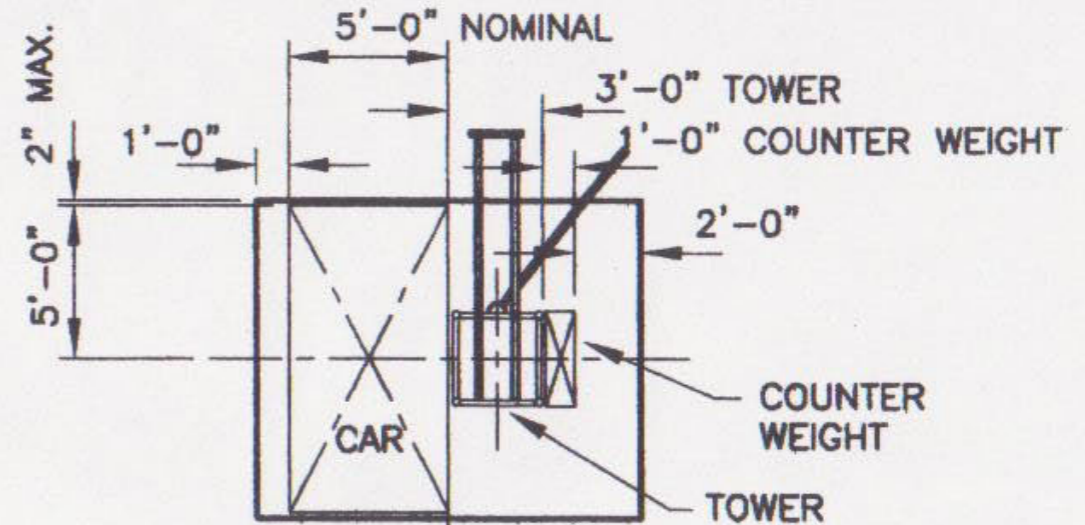
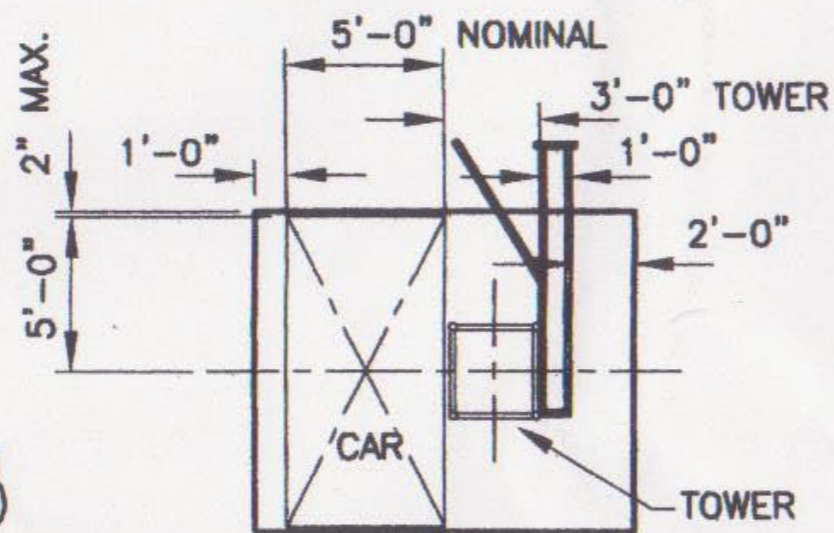


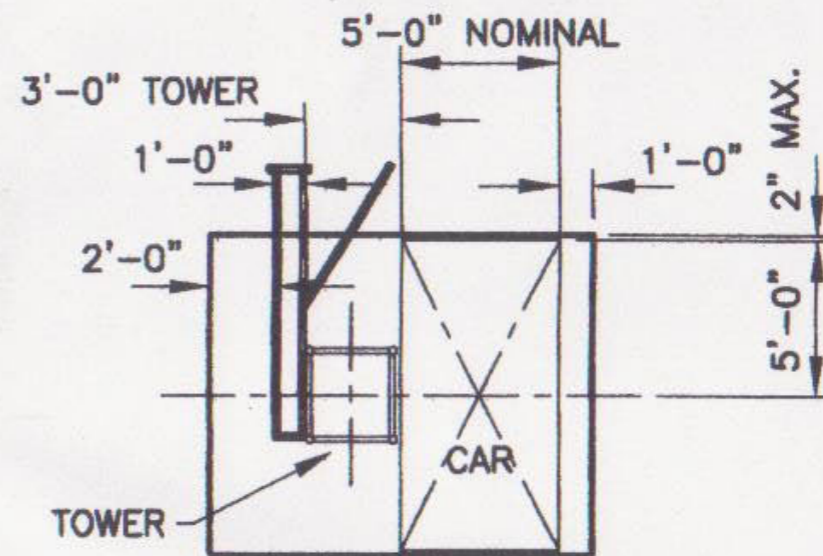
ALIMAK OR EQUAL  
R.H. CONFIGURATION



ALIMAK OR EQUAL  
L.H. CONFIGURATION



PECCO  
L.H. CONFIGURATION



PECCO  
R.H. CONFIGURATION

NOTE:  
DIMENSIONS ARE  
APPROXIMATE AND  
FOR ORIENTATION  
ONLY.

UNITED HOIST EQUIPMENT, INC.

4301 N. 40th St., Tampa, Fl. 33610

TEL.: (813) 740-0535 FAX.: (813) 740-1625

www.unitedhoist.com

FILE NAME: 0U060202-A0096-06

DRAWN: RTN

CHECKED:

DATE:

PROJECT:

TITLE:

TYPICAL ORIENTATION SKETCHES

SCALE:

N. T. S.

PROJ. NO.:

DRAWING NO.:

REV. 6/27/04