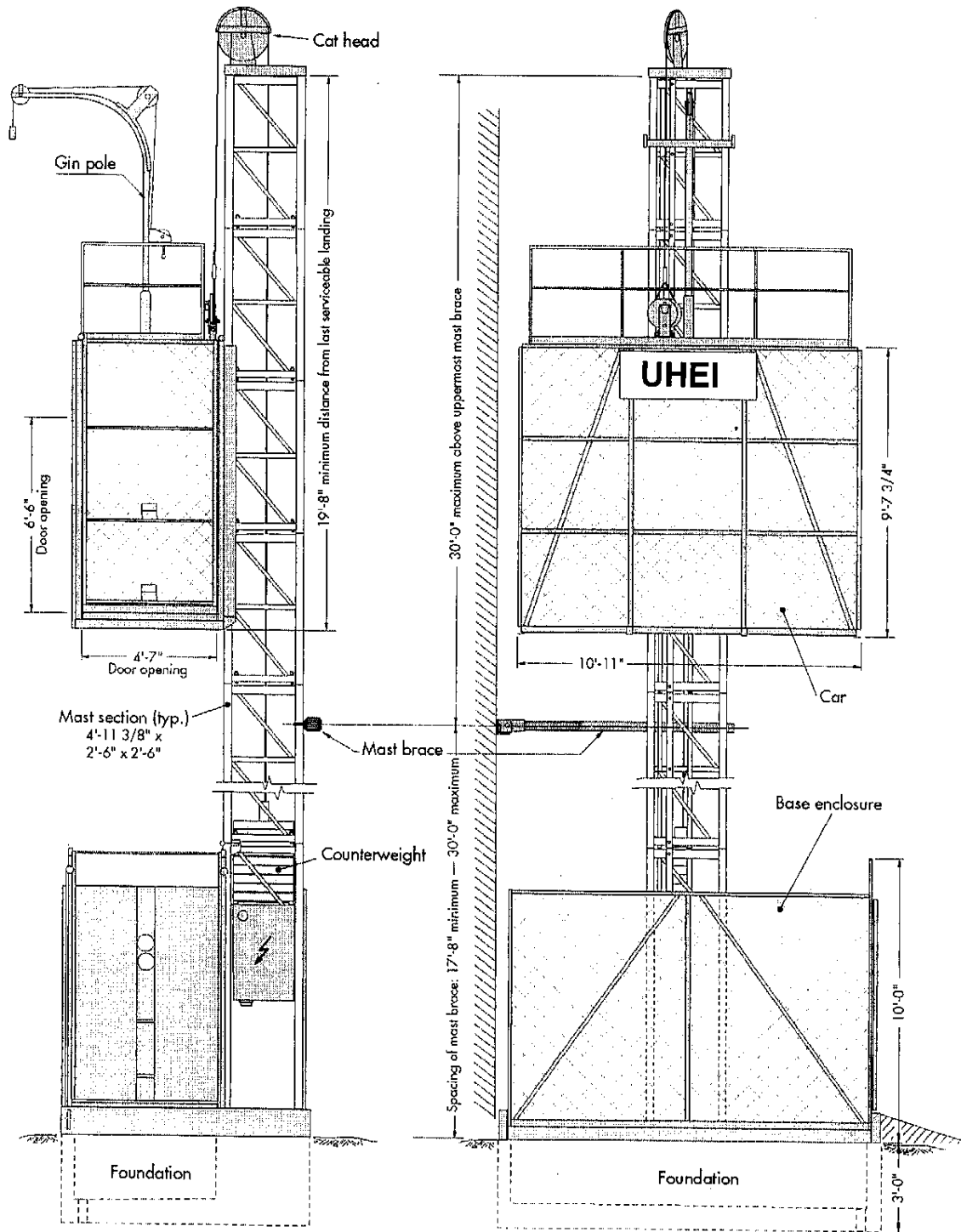


# Pecco PH5000-10

## Single Car Personnel/Material Hoist

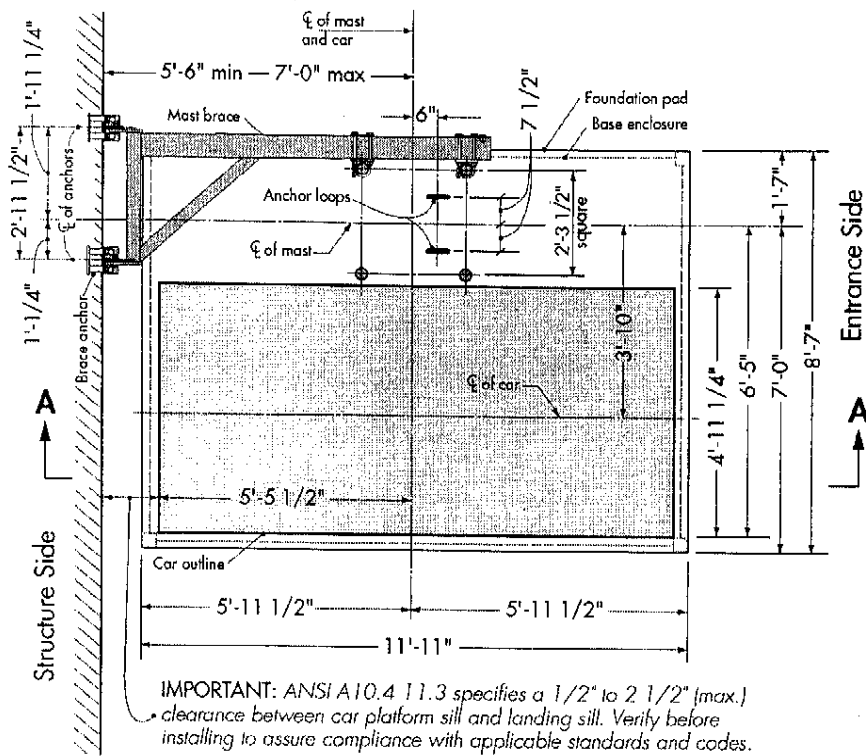


**UNITED HOIST EQUIPMENT, INC.**

*"SERVICING THE INDUSTRY SINCE 1968"*

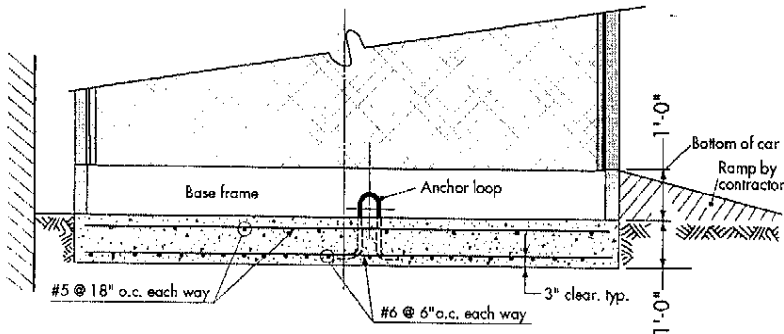
# Foundation Details - Slab

# PH5000-10



**Plan View - Slab**

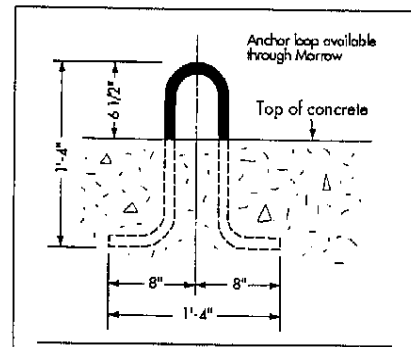
**IMPORTANT!** Verify that the use of a slab foundation conforms to all applicable federal, state and local standards and codes **PRIOR** to foundation installation.



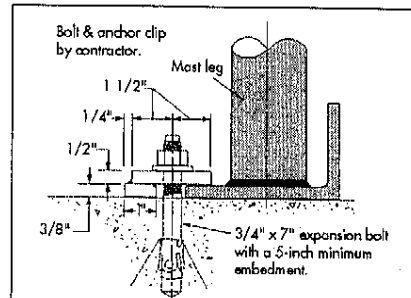
**Elevation - Slab**  
(Section A-A)

**NOTES:**

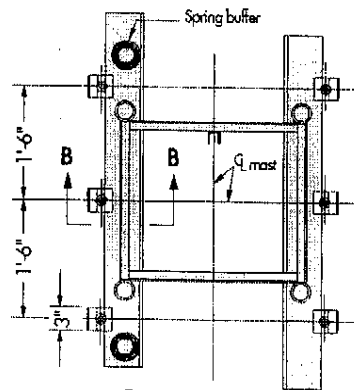
1. Foundation pad: 11'-11" x 8'-7" x 1'-0" with 3,000 psi concrete.
2. Reinforcing bars: ASTM 615-60.
3. Foundation based on 500-foot mast height. For greater heights, consult Morrow engineering.
4. Foundation pad designed for a minimum soil bearing of 1,000 psf.
5. Be sure to check method of mast brace installation. This may determine the location of the foundation pad.



**STANDARD ANCHOR LOOP DETAIL (Slab & Pit)**



**Elevation (Section B-B)**

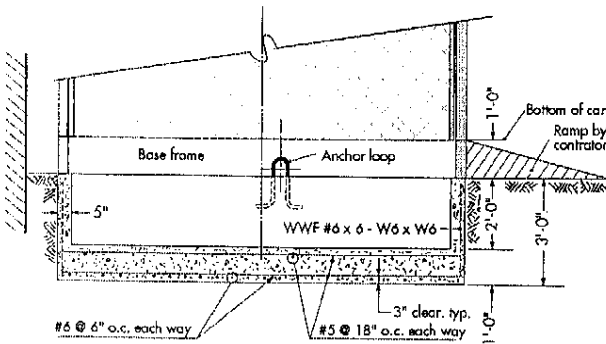


**ALTERNATE ANCHOR BOLT DETAIL (Slab Only)**

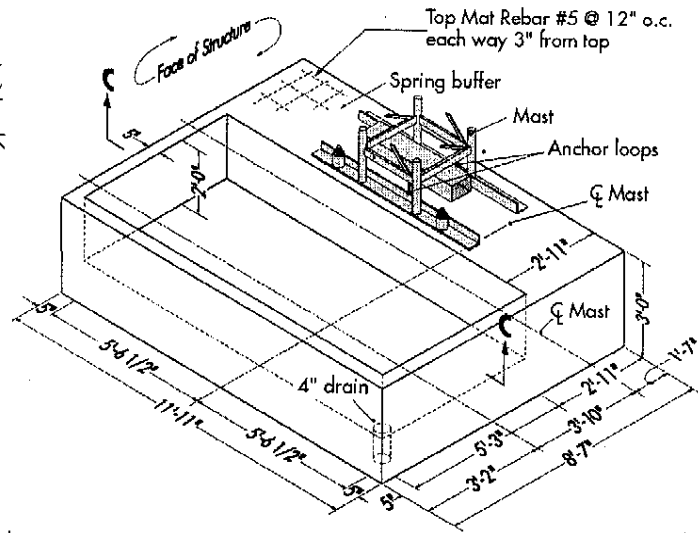
**WARNING:** When using this anchoring alternative, the car **MUST** remain at ground level until first mast brace is installed. For dismantling, the car **MUST** be at ground level when removing bottom mast brace.

# Foundation Details - Pit

# PH5000-10



**Elevation - Pit**  
(Section C-C)

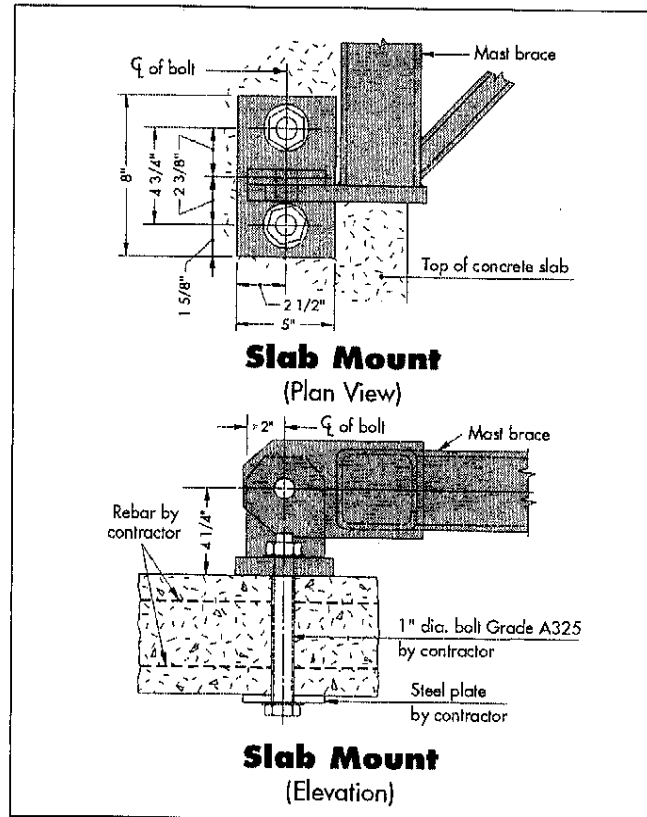
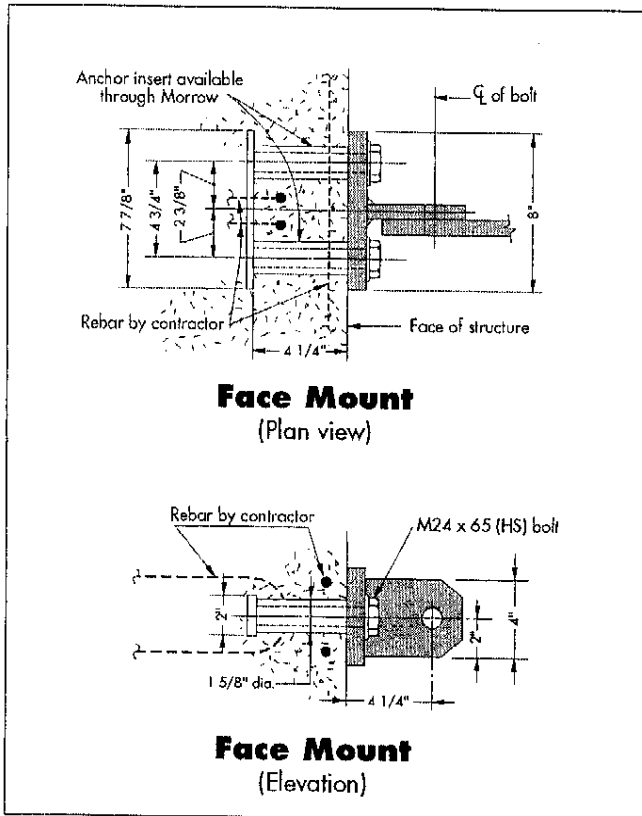


**Isometric View - Pit**

**NOTES:**

1. Foundation pad: 11'-11" x 8'-7" x 3'-0" with 3,000 psi concrete.
2. Pit size: 11'-1" x 5'-3" x 2'-0".
3. Reinforcing bars: ASTM 615-60.
4. Wire mesh: ASTM A185
5. Foundation based on 500-foot mast height. For greater heights, consult Morrow engineering.
6. Foundation pad designed for a minimum soil bearing of 1,000 psf.
7. Be sure to check method of mast brace installation. This may determine the location of the foundation pad.

## Mast Brace Connections



# SPECIFICATIONS

## Pecco Personnel and Material Hoist Single Car Model PH5000-10

### GENERAL

Load capacity.....	4,800 lbs	Max. height on standard masts .....	500'
Max. number of passengers .....	24	Max. height on reinforced masts .....	1,000'
Car inside dimensions (approx.) ..	4'-10 1/2" x 10'-6" x 8'-8"	Max. freestanding mast height* .....	40'-0"
Door opening .....	4'-7" x 6'-6"	* (Applies to standard anchor loop configuration only.)	
Usable floor area .....	51.2 sq ft	Max. mast above uppermost mast brace .....	30'-0"
Mast section length .....	4'-11 3/8"	Maximum mast brace spacing .....	30'-0"
Speed .....	150 fpm	Minimum mast brace spacing .....	17'-8"
Motors .....	2 x 12 hp	Recommended electrical service .....	100 Amps
		Power requirement .....	480 Volt - 3 phase - 60 Hz

### WEIGHTS

Base enclosure .....	3,300 lbs	Hoist car .....	3,750 lbs
Counterweight .....	5,300 lbs	Mast section (standard) .....	275 lbs

### SAFETY FEATURES

- Fail-safe brakes on both hoist motors.
- Heavy-duty overspeed governor which activates safeties that clamp directly onto the mast legs.
- Stop and final limit switches that limit hoist car travel when reaching the end positions.
- Door interlock switches which prevent operation of hoist with doors open.
- Spring buffers.
- All steel car.

### INSTALLATION

- Adding mast sections does not require additional special equipment.
- For instructions regarding installation and operation of the PH5000-10 single car hoist, refer to the operation manual.
- Specifications are subject to change without prior notification.
- Drawings are for illustrative purposes only. Do not scale.
- This product must be used in a safe manner. Furthermore, the use of this product and its components must be in conformity with manufacturers' specifications and in compliance with all applicable standards, codes, regulations, etc.
- Hoists may have motors and gears mounted inside the car or above the car.

## UNITED HOIST EQUIPMENT, INC.

*"SERVICING THE INDUSTRY SINCE 1968"*

4301 North 40<sup>th</sup> Street, Tampa, FL 33610 \* Telephone: (813) 740-0535 \* Fax: (813) 740-1625  
Website: [www.UnitedHoist.com](http://www.UnitedHoist.com)